



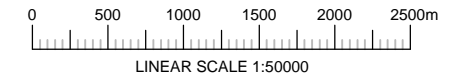
SITE LOCATION PLAN

SCALE 1:50000

CROWN COPYRIGHT RESERVED. MAPS REPRODUCED WITH THE PERMISSION OF THE CONTROLLER OF HM'S STATIONERY OFFICE
DIGITAL MAPPING SOLUTIONS FROM ORDNANCE SURVEY
© CROWN COPYRIGHT 2017
ALL RIGHTS RESERVED LICENCE NUMBER 100036966



**PHOTOGRAPH
PROPOSED SITE/EQUIPMENT LOCATION**



LINEAR SCALE 1:50000

N.G.R

E451170 N198297

OPTION NUMBER

1

NOTES:

1. DO NOT SCALE
2. ALL PROPOSED WORKS SHOWN GREEN AND TEXT BOXED
3. SITE DESIGN CONFORMS TO EEL / MBNL DOCUMENT: STANDARD ICNIRP DESIGN RD10102 / GSDD008 Ver 8.0

REV	DESCRIPTION OF REVISION	BY	DATE
A	FIRST ISSUE	MB	04.12.2017

COLOUR CHART (REPRESENTS PROPOSED WORK AND NOT THE ACTUAL COLOUR OF THE EQUIPMENT-REFER TO SHEETS 500/501 FOR ICNIRP SPECIFIC KEY)

BLACK	TEXT & EXISTING BUILDINGS, STRUCTURES, MASTS, TREES, EEL & OTHER OPERATORS EQUIPMENT
GREEN	PROPOSED INSTALLATION
BLUE	PROPOSED VEHICULAR ACCESS
YELLOW	PROPOSED PEDESTRIAN ACCESS



PURPOSE OF ISSUE

PLANNING

SITE NAME

RADLEY ROAD SW

SITE ADDRESS

**GRASS VERGE ON RADLEY RD
RADLEY ROAD
ABINGDON
OX14 3SL**

EE CELL ID	OJK CELL ID	H3G CELL ID	MBNL CELL ID
93283	-	-	VWH101

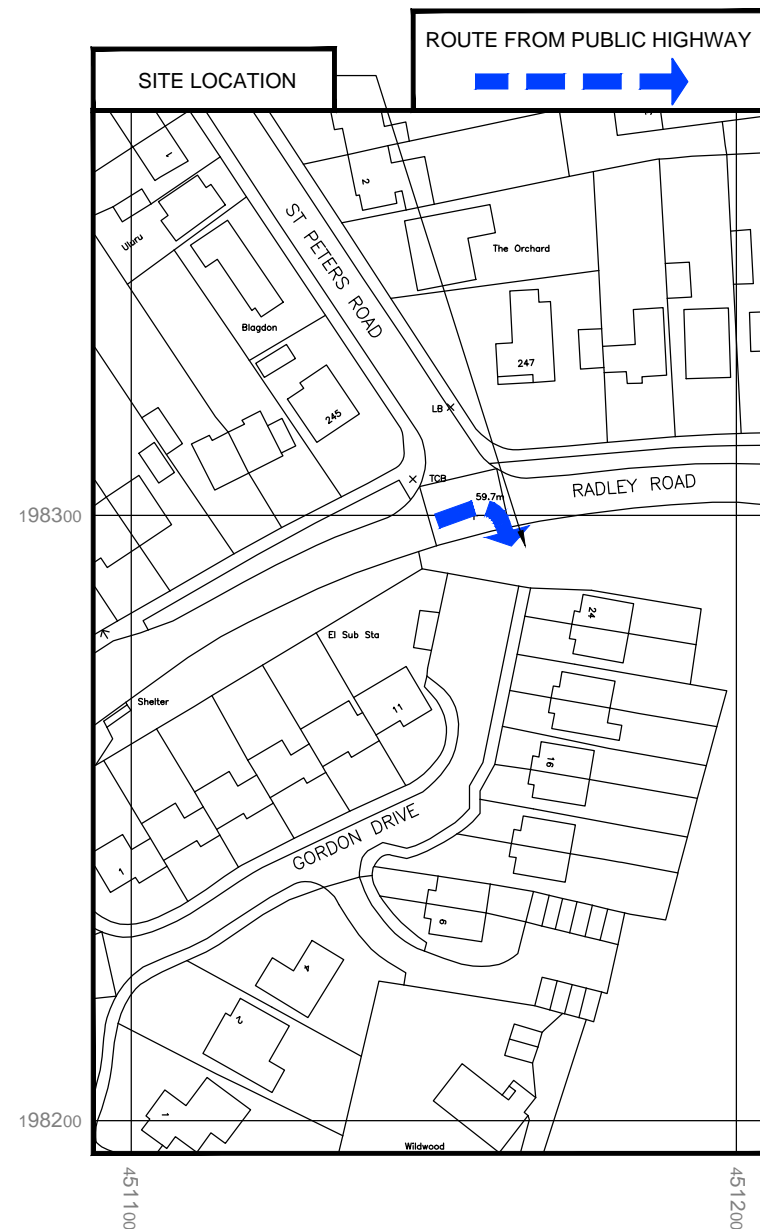
DRAWING TITLE

SITE LOCATION MAPS

SCALE: AS SHOWN WHEN PRINTED AT A3	DRAWN		CHECKED	
		MB	29.11.2017	WP

ALL DIMENSIONS IN mm UNLESS OTHERWISE STATED. THIS DRAWING TO BE READ IN CONJUNCTION WITH OTHER RELEVANT DRAWINGS.

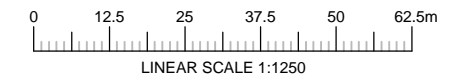
THIRD PARTY REF	DRG No	REV
HD102-21980	100	A



SITE ACCESS PLAN

SCALE 1:1250

CROWN COPYRIGHT RESERVED. MAPS REPRODUCED WITH THE PERMISSION OF THE CONTROLLER OF HM'S STATIONERY OFFICE DIGITAL MAPPING SOLUTIONS FROM ORDNANCE SURVEY © CROWN COPYRIGHT 2017 ALL RIGHTS RESERVED LICENCE NUMBER 100036966



N.G.R

E451170 N198297

OPTION NUMBER

1

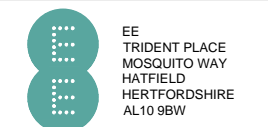
NOTES:

- DO NOT SCALE
- ALL PROPOSED WORKS SHOWN GREEN AND TEXT BOXED
- SITE DESIGN CONFORMS TO EEL / MBNL DOCUMENT: STANDARD ICNIRP DESIGN RD10102 / GSDD008 Ver 8.0

REV	DESCRIPTION OF REVISION	BY	DATE
A	FIRST ISSUE	MB	04.12.2017

COLOUR CHART (REPRESENTS PROPOSED WORK AND NOT THE ACTUAL COLOUR OF THE EQUIPMENT-REFER TO SHEETS 500/501 FOR ICNIRP SPECIFIC KEY)

BLACK	TEXT & EXISTING BUILDINGS, STRUCTURES, MASTS, TREES, EEL & OTHER OPERATORS EQUIPMENT
GREEN	PROPOSED INSTALLATION
BLUE	PROPOSED VEHICULAR ACCESS
YELLOW	PROPOSED PEDESTRIAN ACCESS



PURPOSE OF ISSUE

PLANNING

SITE NAME

RADLEY ROAD SW

SITE ADDRESS

GRASS VERGE ON RADLEY RD
RADLEY ROAD
ABINGDON
OX14 3SL

EE CELL ID	OJK CELL ID	H3G CELL ID	MBNL CELL ID
93283	-	-	VWH101

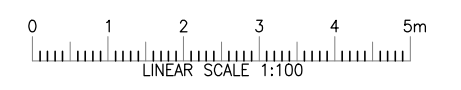
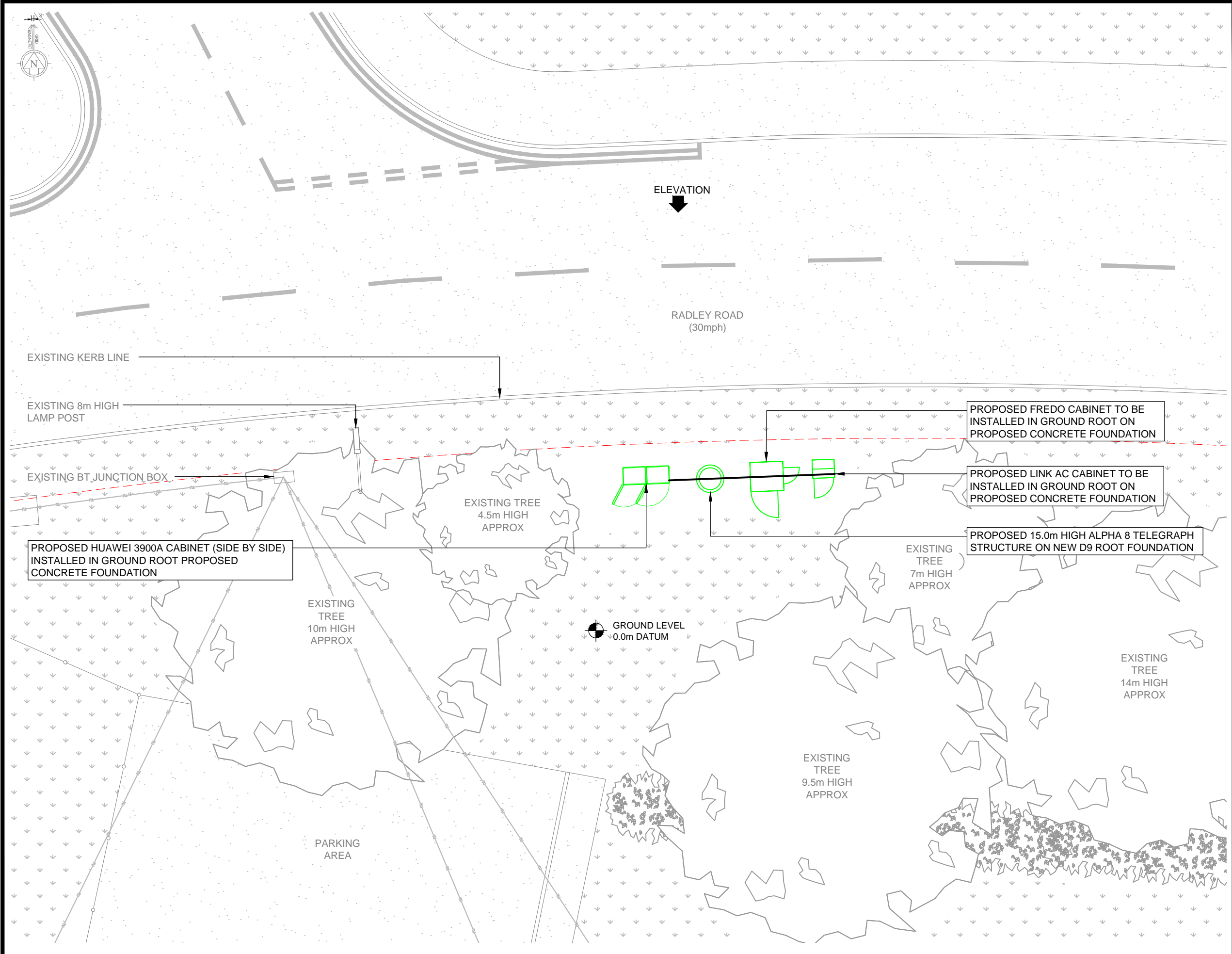
DRAWING TITLE

SITE ACCESS PLAN

SCALE: AS SHOWN WHEN PRINTED AT A3	DRAWN		CHECKED	
	MB	29.11.2017	WP	04.12.2017

ALL DIMENSIONS IN mm UNLESS OTHERWISE STATED. THIS DRAWING TO BE READ IN CONJUNCTION WITH OTHER RELEVANT DRAWINGS.

THIRD PARTY REF	DRG No	REV
HD102-21980	101	A



N.G.R
E451170 N198297
OPTION NUMBER
1

- NOTES:
- DO NOT SCALE
 - ALL PROPOSED WORKS SHOWN GREEN AND TEXT BOXED
 - SITE DESIGN CONFORMS TO EEL / MBNL DOCUMENT: STANDARD ICNIRP DESIGN RD10102 / GSDD008 Ver 8.0

REV	DESCRIPTION OF REVISION	BY	DATE
A	FIRST ISSUE	MB	04.12.2017

COLOUR CHART (REPRESENTS PROPOSED WORK AND NOT THE ACTUAL COLOUR OF THE EQUIPMENT-REFER TO SHEETS 500/501 FOR ICNIRP SPECIFIC KEY)

BLACK	TEXT & EXISTING BUILDINGS, STRUCTURES, MASTS, TREES, EEL & OTHER OPERATORS EQUIPMENT
GREEN	PROPOSED INSTALLATION
BLUE	PROPOSED VEHICULAR ACCESS
YELLOW	PROPOSED PEDESTRIAN ACCESS



EE TRIDENT PLACE
MOSQUITO WAY
HATFIELD
HERTFORDSHIRE
AL10 9BW

PURPOSE OF ISSUE
PLANNING

SITE NAME
RADLEY ROAD SW

SITE ADDRESS
**GRASS VERGE ON RADLEY RD
RADLEY ROAD
ABINGDON
OX14 3SL**

EE CELL ID	OJK CELL ID	H3G CELL ID	MBNL CELL ID
93283	-	-	VWH101

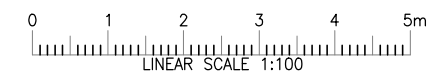
DRAWING TITLE
PROPOSED SITE PLAN

SCALE:	DRAWN		CHECKED	
AS SHOWN WHEN PRINTED AT A3	MB	29.11.2017	WP	04.12.2017

ALL DIMENSIONS IN mm UNLESS OTHERWISE STATED. THIS DRAWING TO BE READ IN CONJUNCTION WITH OTHER RELEVANT DRAWINGS.

THIRD PARTY REF	DRG No	REV
HD102-21980	200	A

TOWER DETAILS:			TOWER SUPPLIER: HUTCHINSON ENG.
CODE:	HEIGHT:	TOWER DESCRIPTION:	COLOUR REF:
-	15.0m	ALPHA 8 STREETPOLE	BLACK BROWN (RAL8022)
CUSTOM:	CUSTOM COMMENT:		
N	NA		
ANTENNA DETAILS:			COLOUR REF:
ALPHA 3363 TRISECTOR ANTENNA & 2No. DISHES			STANDARD
CABINET DETAILS:			COLOUR REF:
FREDO CABINET			FIR GREEN (RAL6009)
HUAWEI 3900A CABINET (SIDE BY SIDE)			FIR GREEN (RAL6009)
LINK AC			FIR GREEN (RAL6009)



N.G.R
E451170 N198297

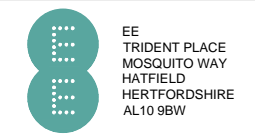
OPTION NUMBER
1

- NOTES:
- DO NOT SCALE
 - ALL PROPOSED WORKS SHOWN GREEN AND TEXT BOXED
 - SITE DESIGN CONFORMS TO EEL / MBNL DOCUMENT: STANDARD ICNIRP DESIGN RD10102 / GSDD008 Ver 8.0

REV	DESCRIPTION OF REVISION	BY	DATE
A	FIRST ISSUE	MB	04.12.2017

COLOUR CHART (REPRESENTS PROPOSED WORK AND NOT THE ACTUAL COLOUR OF THE EQUIPMENT-REFER TO SHEETS 500/501 FOR ICNIRP SPECIFIC KEY)

BLACK	TEXT & EXISTING BUILDINGS, STRUCTURES, MASTS, TREES, EEL & OTHER OPERATORS EQUIPMENT
GREEN	PROPOSED INSTALLATION
BLUE	PROPOSED VEHICULAR ACCESS
YELLOW	PROPOSED PEDESTRIAN ACCESS



PURPOSE OF ISSUE
PLANNING

SITE NAME
RADLEY ROAD SW

SITE ADDRESS
**GRASS VERGE ON RADLEY RD
RADLEY ROAD
ABINGDON
OX14 3SL**

EE CELL ID	OJK CELL ID	H3G CELL ID	MBNL CELL ID
93283	-	-	VWH101

DRAWING TITLE
PROPOSED SITE ELEVATION

SCALE: AS SHOWN WHEN PRINTED AT A3	DRAWN		CHECKED	
	MB	29.11.2017	WP	04.12.2017
ALL DIMENSIONS IN mm UNLESS OTHERWISE STATED. THIS DRAWING TO BE READ IN CONJUNCTION WITH OTHER RELEVANT DRAWINGS.				

THIRD PARTY REF	DRG No	REV
HD102-21980	300	A

- TOP OF PROPOSED POLE
15.0m AGL
- TOP OF PROPOSED ANTENNAS
15.0m AGL
- C/L OF PROPOSED ANTENNAS
13.6m AGL
- C/L OF DISHES
11.9m AGL

PROPOSED ALPHA 3363 TRISECTOR ANTENNA WITHIN GRP SHROUD

PROPOSED 2 No. 300mmØ DISHES EGN TBC

PROPOSED 15.0m HIGH ALPHA 8 TELEGRAPH STRUCTURE ON NEW D9 ROOT FOUNDATION

PROPOSED FREDO CABINET TO BE INSTALLED IN GROUND ROOT ON PROPOSED CONCRETE FOUNDATION

PROPOSED LINK AC CABINET TO BE INSTALLED IN GROUND ROOT ON PROPOSED CONCRETE FOUNDATION

EXISTING 8m HIGH LAMP POST

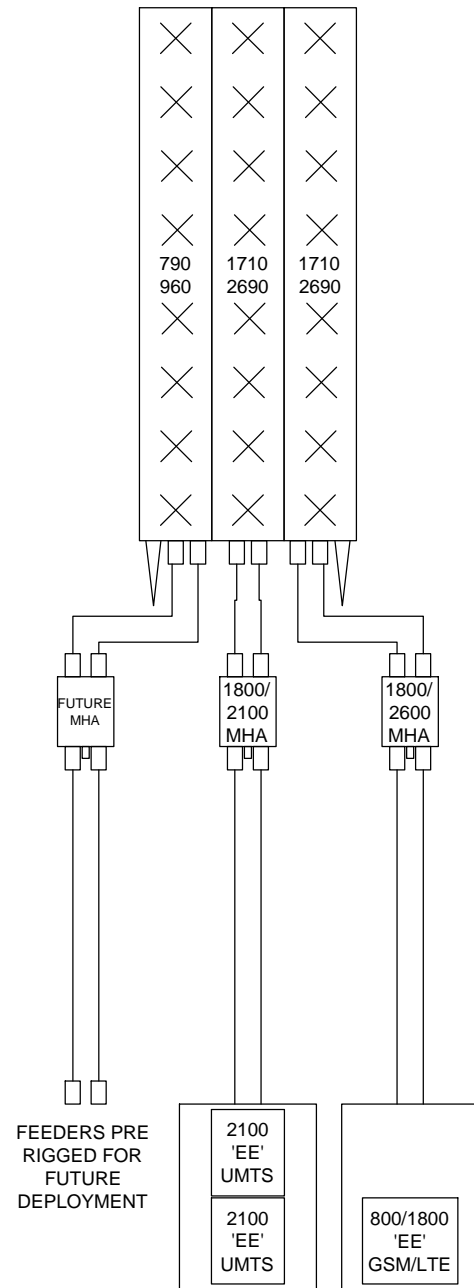
PROPOSED HUAWEI 3900A CABINET (SIDE BY SIDE) INSTALLED IN GROUND ROOT ON PROPOSED CONCRETE FOUNDATION

EXISTING BT JUNCTION BOX

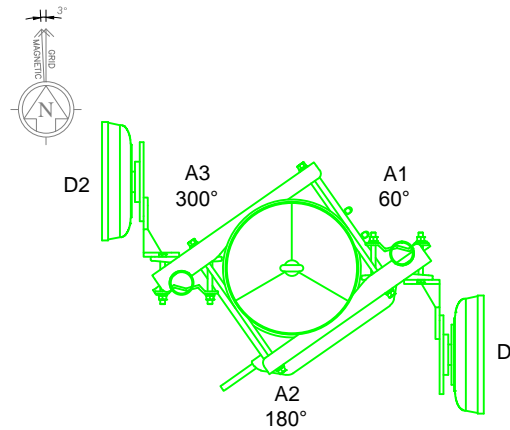
GROUND LEVEL
0.0m

PROPOSED NORTH ELEVATION
SCALE 1:100

PROPOSED 6 PORT
ALPHA 3363
TRISECTOR
ANTENNA



ANTENNA SCHEMATIC



HEADFRAME PLAN @ 15.0m AGL
SCALE 1:25

ANTENNA LINE KEY																
ANTENNA TYPE AZIMUTH TILT AND PORTS					ANTENNA PORT ALLOCATION		MHA REF		RET		OVERALL SYSTEM LOSS					
SECTOR ID	ANTENNA TYPE	ANTENNA C/L (m) AGL	BEARING (°)	MECHANICAL TILT (°)	PORT FREQUENCY RANGE	OPERATING FREQUENCY	RFU/RRU	MHA NAME	RET CABLE LOCATION	RET NAME	ANT JUMPER LENGTH (m) AND TYPE	MAIN FEEDER LENGTH (m) AND TYPE	BTS TAIL LENGTH (m) AND TYPE	ESTIMATED TOTAL LOSS (dB)		
A1	ALPHA 3363 TRISECTOR ANTENNA	13.6m	60° EGN	0	790-2690	800/1800/2100	RFU	RADIO DESIGN RD0433 1800/2100 DDNA RADIO DESIGN RD0449-02 1800/2100 DDNA	HUAWEI 3900A FREDO	-	1m LCF12-50	16m LCF78-50	2m LCF12-50	PROPOSED		
A2	ALPHA 3363 TRISECTOR ANTENNA	13.6m	180° EGN	0	790-2690	800/1800/2100	RFU	RADIO DESIGN RD0433 1800/2100 DDNA RADIO DESIGN RD0449-02 1800/2100 DDNA	HUAWEI 3900A FREDO	-	1m LCF12-50	16m LCF78-50	2m LCF12-50	PROPOSED		
A3	ALPHA 3363 TRISECTOR ANTENNA	13.6m	300° EGN	0	790-2690	800/1800/2100	RFU	RADIO DESIGN RD0433 1800/2100 DDNA RADIO DESIGN RD0449-02 1800/2100 DDNA	HUAWEI 3900A FREDO	-	1m LCF12-50	16m LCF78-50	2m LCF12-50	PROPOSED		

NOTE: INFORMATION HELD ON INS TAKES PRECEDENCE OVER ALL KEYS AND SCHEDULES SHOWN

PROPOSED EEL EQUIPMENT SCHEDULE				
ITEM	TYPE	SIZE (mm) (HxWxD)	OTHER INFO.	COMMENTS
IT-1	LINK AC	1520x600x500	-	PROPOSED
IT-2	HUAWEI 3900A	900x1200x480	SIDE BY SIDE	PROPOSED
IT-3	FREDO	1240x900x800	-	PROPOSED

PROPOSED EEL DISH KEY						
DISH REF	DISH DIA.	AZIMUTH (EGN)	HEIGHT TO CENTRE (AGL)	REMOTE RFU? (Y/N)	FUNCTION LINK No.	COMMENTS
D1	300mm	TBC*	11.9m	N	TBC	PROPOSED
D2	300mm	TBC*	11.9m	N	TBC	PROPOSED

EEL POWER REQUIREMENT - PROPOSED 21kVA SINGLE PHASE SUPPLY (DNO)



N.G.R

E451170 N198297

OPTION NUMBER

1

NOTES:

- DO NOT SCALE
- ALL PROPOSED WORKS SHOWN GREEN AND TEXT BOXED
- SITE DESIGN CONFORMS TO EEL / MBNL DOCUMENT: STANDARD ICNIRP DESIGN RD10102 / GSDD008 Ver 8.0

REV	DESCRIPTION OF REVISION	BY	DATE
A	FIRST ISSUE	MB	04.12.2017

COLOUR CHART (REPRESENTS PROPOSED WORK AND NOT THE ACTUAL COLOUR OF THE EQUIPMENT-REFER TO SHEETS 500/501 FOR ICNIRP SPECIFIC KEY)

- BLACK — TEXT & EXISTING BUILDINGS, STRUCTURES, MASTS, TREES, EEL & OTHER OPERATORS EQUIPMENT
- GREEN — PROPOSED INSTALLATION
- BLUE — PROPOSED VEHICULAR ACCESS
- YELLOW — PROPOSED PEDESTRIAN ACCESS



PURPOSE OF ISSUE

PLANNING

SITE NAME

RADLEY ROAD SW

SITE ADDRESS

GRASS VERGE ON RADLEY RD
RADLEY ROAD
ABINGDON
OX14 3SL

EE CELL ID	OJK CELL ID	H3G CELL ID	MBNL CELL ID
93283	-	-	VWH101

DRAWING TITLE

EQUIPMENT SCHEDULE

SCALE: AS SHOWN WHEN PRINTED AT A3	DRAWN		CHECKED	
	MB	29.11.2017	WP	04.12.2017

ALL DIMENSIONS IN mm UNLESS OTHERWISE STATED. THIS DRAWING TO BE READ IN CONJUNCTION WITH OTHER RELEVANT DRAWINGS.

THIRD PARTY REF	DRG No	REV
HD102-21980	400	A